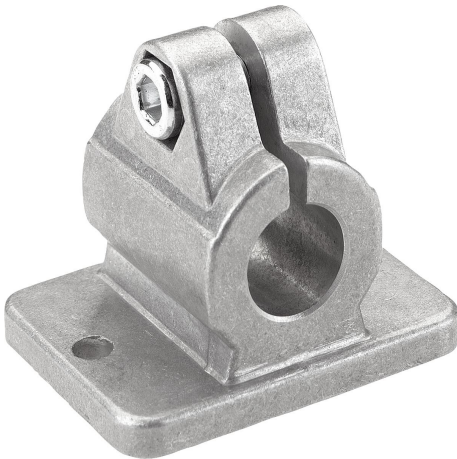


Tube clamps flange aluminium

Item description/product images



Description

Material:

Cast aluminium.

DIN 7984 screws and DIN 985 nuts, steel.

Version:

Vibratory ground.

Screws and nuts electro zinc-plated.

Note:

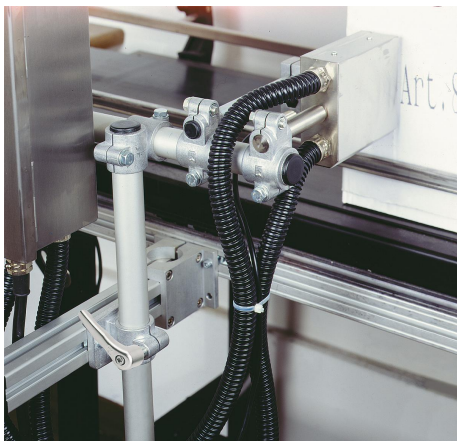
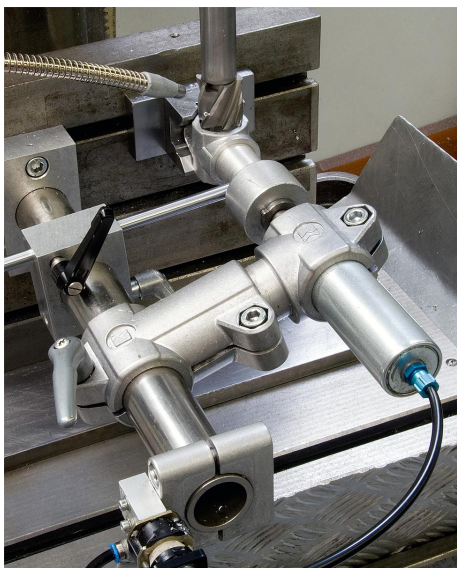
* Elongated hole

On request:

Clamping levers for tightening and other diameters.

Accessory:

- Round and square tubes K0493



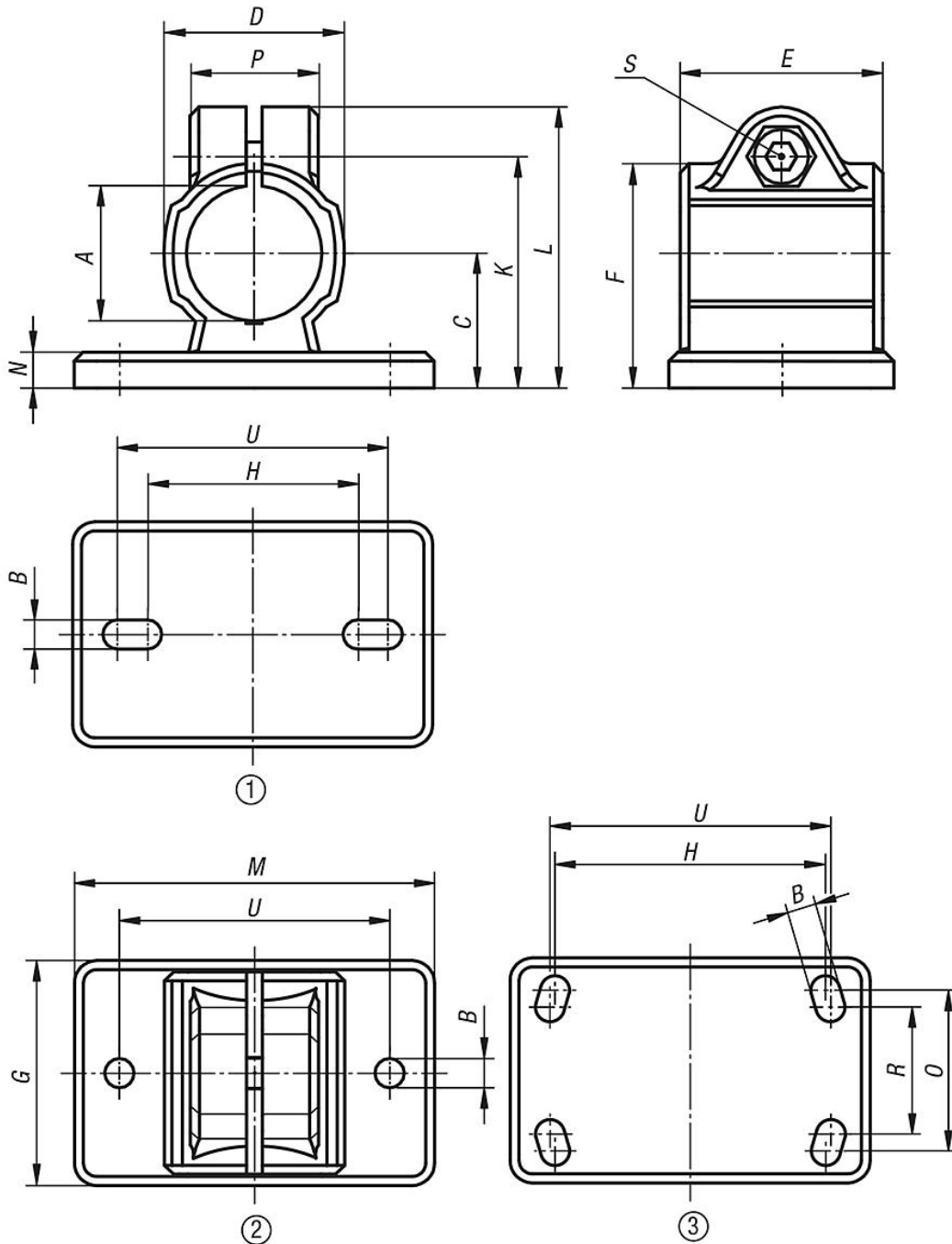
Tube clamps flange aluminium

Item description/product images



Tube clamps flange aluminium

Drawings



Overview of items

Tube clamps, flange, aluminium

Order No.	hole arrangement	A	B	C	D	E	F	G	H	K	L	M	N	O	P	R	S	U
K0479.512	1	12,1	5,5* (2x)	18	25	35	31	35	38	32,5	41	50	5	-	23	-	M6x20	40
K0479.514	2	14,1	5,5 (2x)	18	25	35	31	35	-	32,5	41	50	5	-	23	-	M6x20	40
K0479.515	2	15,1	5,5 (2x)	18	25	35	31	35	-	32,5	41	50	5	-	23	-	M6x20	40
K0479.516	1	16,1	5,5* (2x)	18	25	35	31	35	38	32,5	41	50	5	-	23	-	M6x20	40
K0479.518	2	18,1	5,5 (2x)	18	25	35	31	35	-	32,5	41	50	5	-	23	-	M6x20	40
K0479.520	1	20,1	6,5* (2x)	30	40	40	50	55	53	53	63	78	7	-	33	-	M8x25	60

Tube clamps flange aluminium

Overview of items

Order No.	hole arrangement	A	B	C	D	E	F	G	H	K	L	M	N	O	P	R	S	U
K0479.525	1	25,1	6,5* (2x)	30	40	40	50	55	53	53	63	78	7	-	33	-	M8x25	60
K0479.530	1	30,1	6,5* (2x)	30	40	40	50	55	53	53	63	78	7	-	33	-	M8x25	60
K0479.540	3	40,17	8,5* (4x)	42	56	60	70	80	80	74	87	105	10	60	40	52	M10x30	82
K0479.550	3	50,22	10,5* (4x)	50	66	65	83	90	98	85	98	128	14	62	45	60	M10x35	100