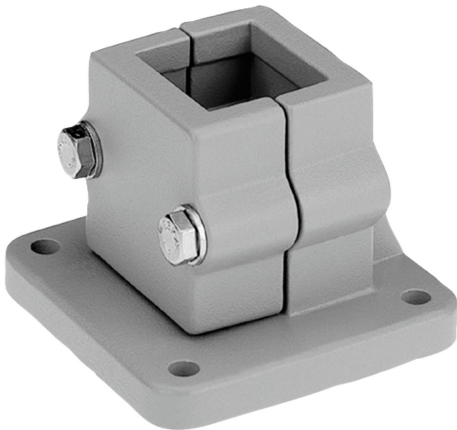


Tube clamps base aluminium

Item description/product images



Description

Material:

Cast aluminium.
Screws and nuts steel.

Version:

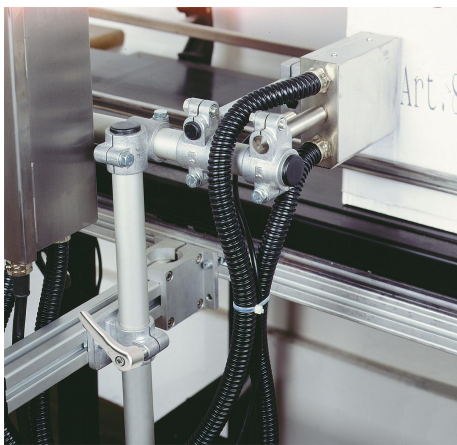
Vibratory ground.
Screws and nuts electro zinc-plated.

On request:

Lever for locking and other sizes for square tube.

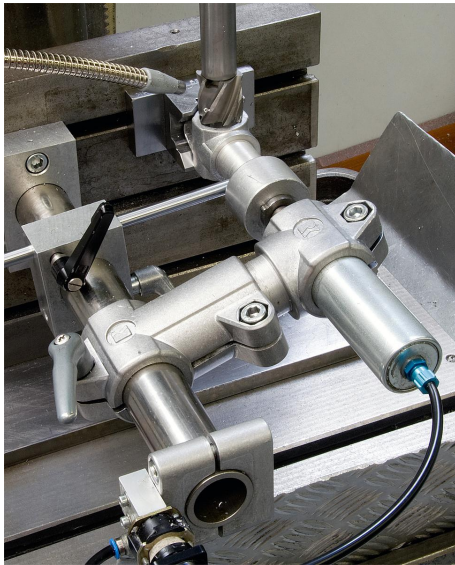
Accessory:

- Round and square tubes K0493

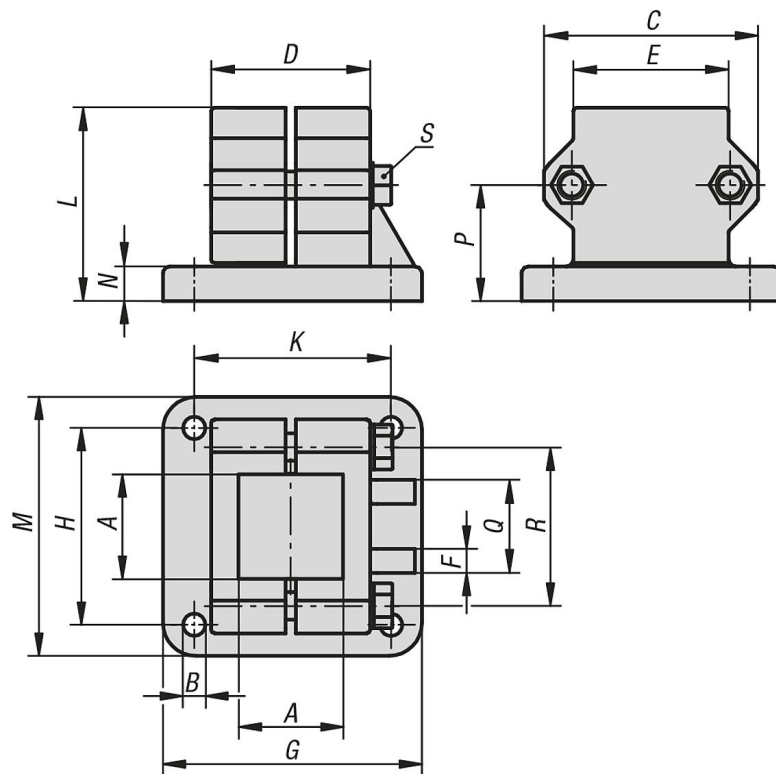


Tube clamps base aluminium

Item description/product images



Drawings



Overview of items

Tube clamps base, aluminium

Order No.	A	B	C	D	E	F	G	H	K	L	M	N	P	Q	R	S
K0478.5230	30,3	7	62	45	45	5	75	57	57	56	75	10	33,5	25	46	M8x45
K0478.5240	40,4	9	75	60	60	5	100	76	76	73	100	12	43	32	57	M8x60

