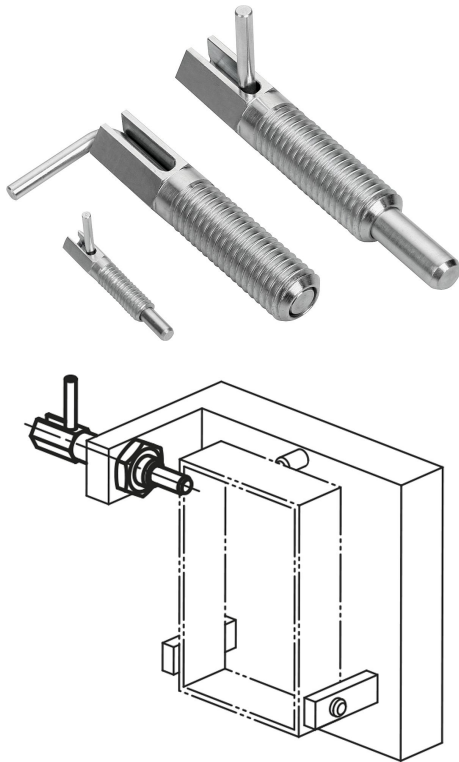


Indexing Plungers, inch

Item description/product images



Description

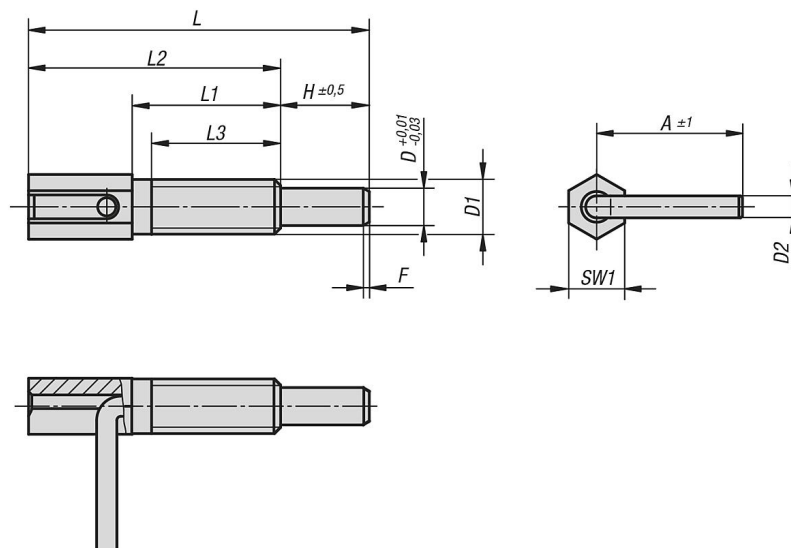
Material:
Steel quality class 5.8

Version:
Trivalent blue passivated.

Note:
For the inch series, dimensions D1 and SW1 are in inches, all other dimensions are in mm.
Indexing plungers are used to prevent any change in locking position due to lateral forces. A new locking position can only be set after the pin has been manually disengaged.

On request:
Special versions.

Drawings



Indexing Plungers

Item No.	A	D	D1	D2	H	L	L1	L2	L3	SW1	Fx30°	Spring force initial pressure F1 approx. N	Spring force final pressure F2 approx. N	Max. tightening torque Nm
K0340.11CWA2	16	4	1/4-20	2,3	9,5	41,5	20	32	16	1/4	0,7	3	10	1,6
K0340.12CMA4	23,5	6,35	3/8-16	3,5	14,3	65,1	33,3	50,8	27	3/8	1,1	4	16	10
K0340.13CNA5	31	7,93	1/2-13	4,7	19	73	31,8	54	28,6	1/2	1,3	4	22	13



Item No.	A	D	D1	D2	H	L	L1	L2	L3	SW1	Fx30°	Spring force initial pressure F1 approx. N	Spring force final pressure F2 approx. N	Max. tightening torque Nm
K0340.14COA6	33	9,53	5/8-11	4,7	25,4	102,9	50,5	77,5	44,5	5/8	1,6	4	23	42