

Swivel feet

Item description/product images



Description

Material:

Form A: Thrust plate carbon steel, ball element free-cutting steel.

Form G: Ball element steel.

Form B: Stainless steel

Form C: Thrust plate POM, ball element free-cutting steel.

Form D: Thrust plate POM, ball element stainless steel

Anti-slip plate thermoplastic elastomer.

Version:

Form A, G: Ball element case-hardened, black oxidised.

Form G: Ball element case hardened, black oxidised with anti-slip plate

Form B: Bright.

Form C: Ball element case-hardened, black oxidised.

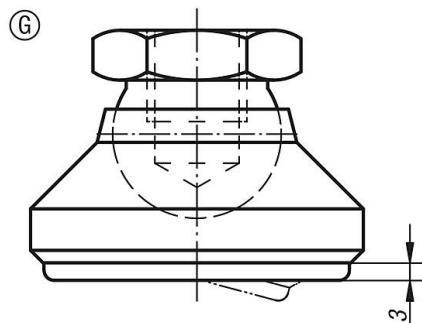
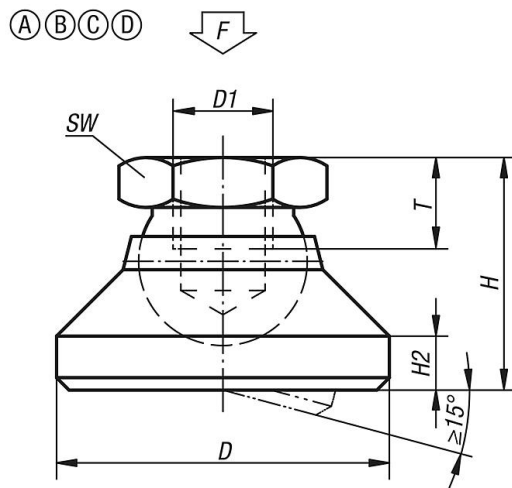
Form D: Ball element bright.

Note:

The anti-slip plate absorbs vibrations and prevents the swivel foot slipping

The loading indicated in the table is a recommendation up to which permanent static load the swivel plate can be used.

Drawings



Swivel feet

Overview of items

Swivel feet

Order No. Form A	Order No. Form B	D	D1	H	H2	T	SW	Load rating max. kN
K0395.106	K0395.306	20	M6	15	2,5	8,5	10	10
K0395.108	K0395.308	25	M8	18	4	9	13	18
K0395.110	K0395.310	32	M10	22	5	10	17	20
K0395.112	K0395.312	40	M12	26	6	12	19	35
K0395.116	K0395.316	50	M16	32	7	14	24	45
K0395.120	K0395.320	60	M20	42	8	18	30	55
Order No. Form C	Order No. Form D	D	D1	H	H2	T	SW	Load rating max. kN
K0395.506	K0395.206	20	M6	15	2,5	8,5	10	4
K0395.508	K0395.208	25	M8	18	4	9	13	7
K0395.510	K0395.210	32	M10	22	5	10	17	10
K0395.512	K0395.212	40	M12	26	6	12	19	18
K0395.516	K0395.216	50	M16	32	7	14	24	20
K0395.520	K0395.220	60	M20	42	8	18	30	22
Order No. Form G	D	D1	H	H2	T	SW	Load rating max. kN (static load only)	
K0395.410	32	M10	22	5	10	17	12	
K0395.412	40	M12	26	6	12	19	17	
K0395.416	50	M16	32	7	14	24	20	
K0395.420	60	M20	42	8	18	30	24	