

## Tube clamps swivel base plastic

### Item description/product images



### Description

**Material:**

Thermoplastic.

DIN 7984 screws and DIN 985 nuts steel.

**Version:**

Black.

Screws and nuts galvanized.

**Note:**

Tube swivel clamps can be seamlessly rotated through 180°.

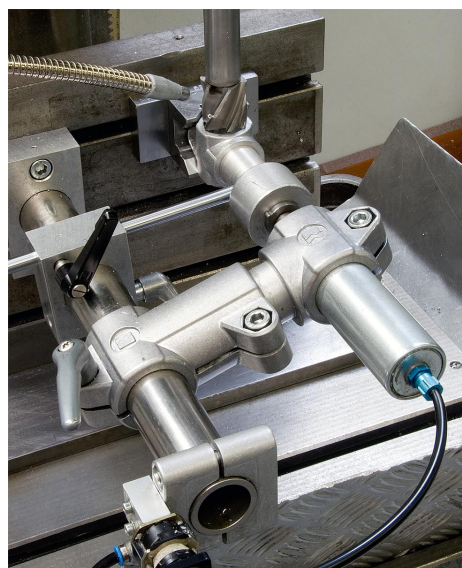
The standard size for round tubes is Ø18 mm or Ø30 mm. Use reducer sleeves K0492 if smaller tubes are to be clamped or a conversion from round to square tubes is required.

**On request:**

Plastic levers for locking.

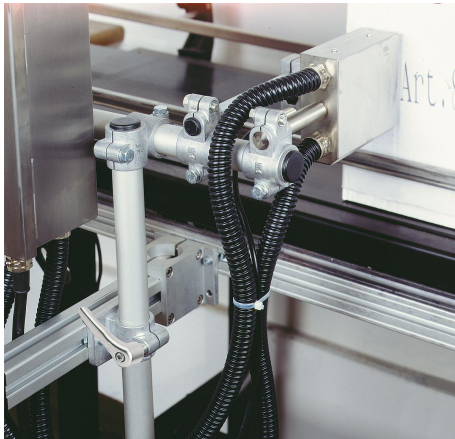
**Accessory:**

- Reducer sleeves K0492
- Round and square tubes K0493



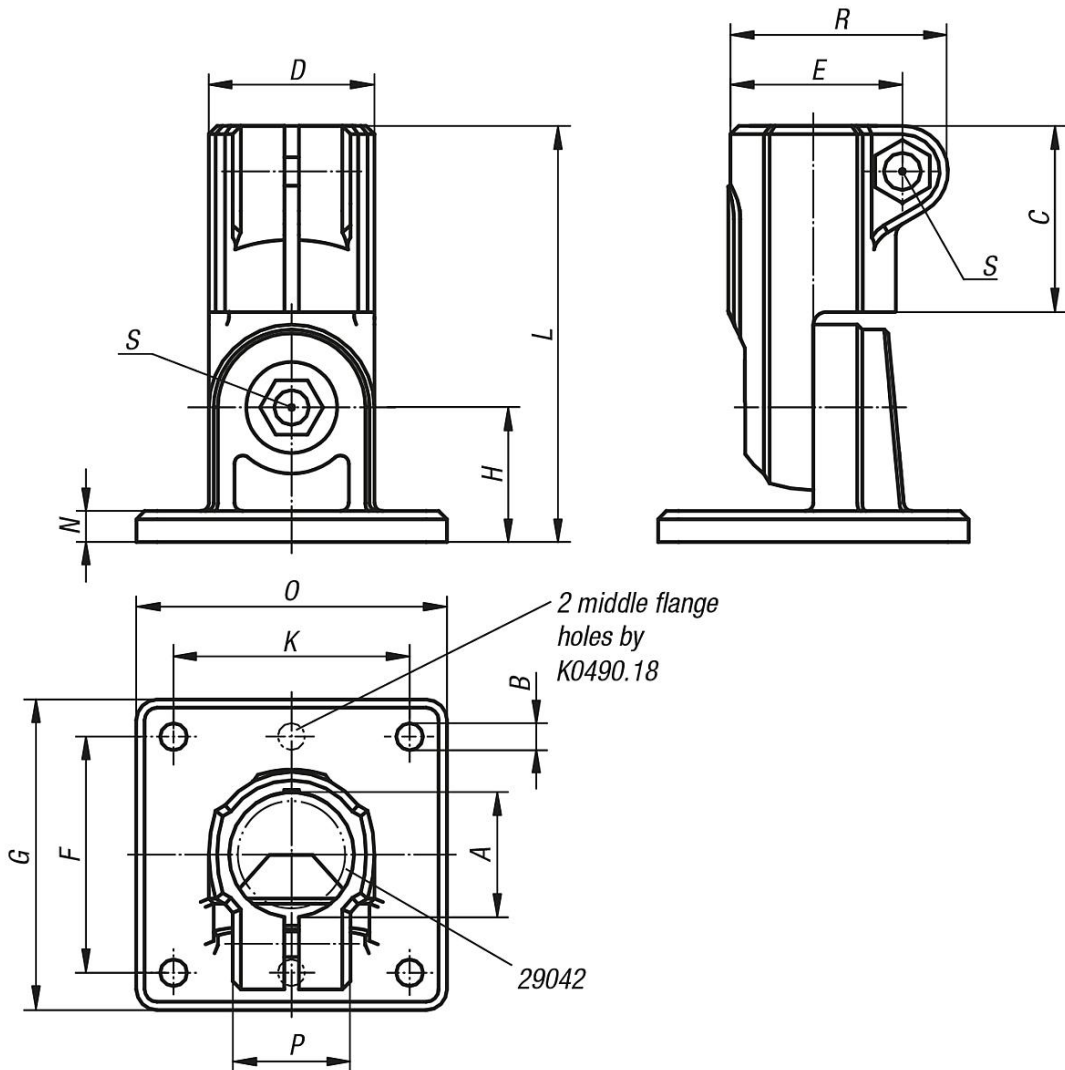
# Tube clamps swivel base plastic

Item description/product images



## Tube clamps swivel base plastic

### Drawings



### Overview of items

#### Tube clamps swivel base, plastic

Order No.	A	B	C	D	E	F	G	H	K	L	N	O	P	R	S
K0490.18	18	5,3 (2x)	30	25	26,5	40	50	20	-	65	5	35	21	34	M6x18
K0490.30	30	6,5 (4x)	45	40	41,5	60	75	32,5	60	100,5	7,5	75	28,5	52,5	M8x25