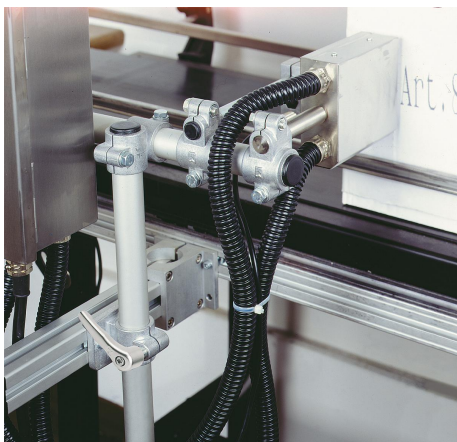
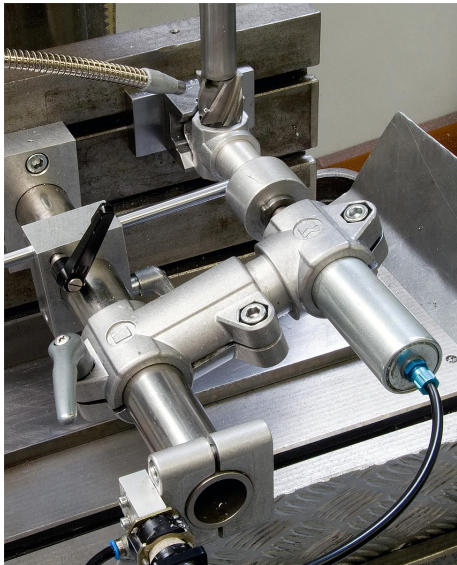


Tube clamps swivel plastic

Item description/product images



Description

Material:

Thermoplastic.

DIN 7984 screws and DIN 985 nuts steel.

Version:

Black.

Screws and nuts galvanized.

Note:

Tube swivel clamps can be seamlessly rotated through 180°.

The standard size for round tubes is Ø18 mm or Ø30 mm. Use reducer sleeves K0492 if smaller tubes are to be clamped or a conversion from round to square tubes is required.

On request:

Plastic levers for locking.

Accessory:

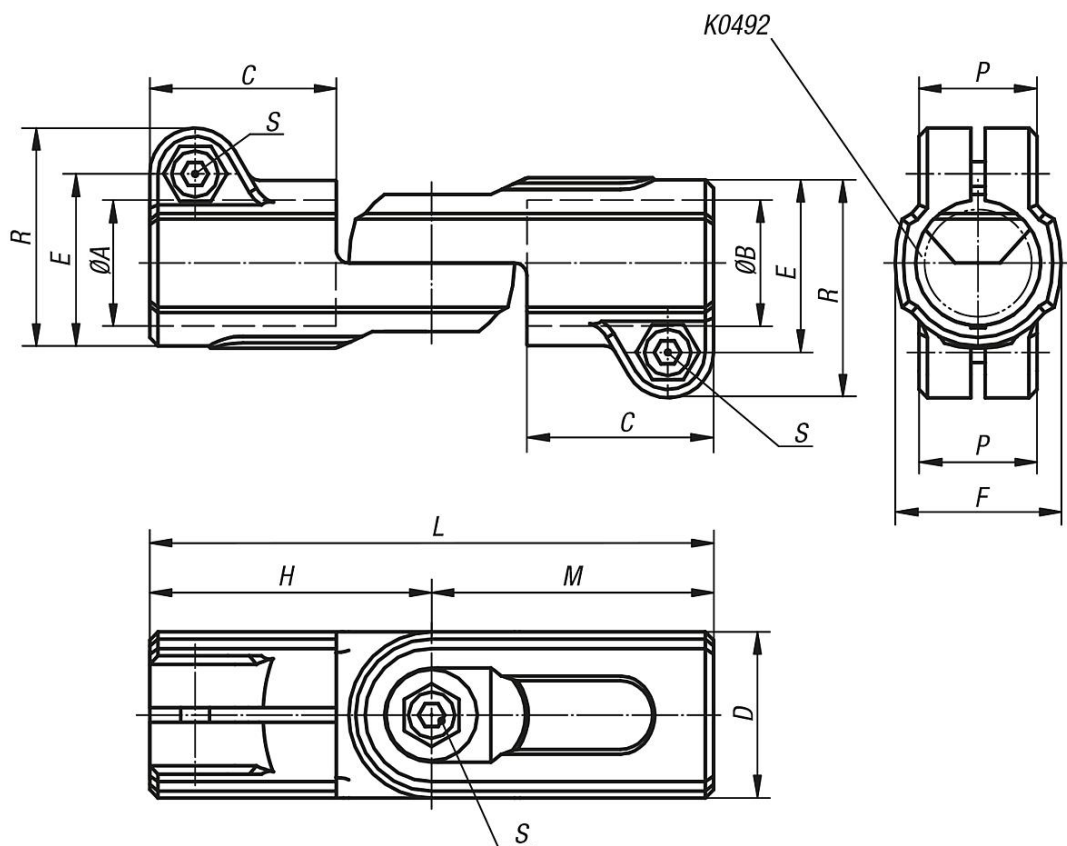
- Reducer sleeves K0492
- Round and square tubes K0493

Tube clamps swivel plastic

Item description/product images



Drawings



Overview of items

Tube clamps swivel, plastic

Order No.	A	B	C	D	E	F	H	L	M	P	R	S
K0489.18	18	18	30	25	26,5	25	45	90	45	21	34	M6x18

Tube clamps swivel plastic**Overview of items**

Order No.	A	B	C	D	E	F	H	L	M	P	R	S
K0489.30	30	30	45	40	41,5	40	68	136	68	28,5	52,5	M8x25