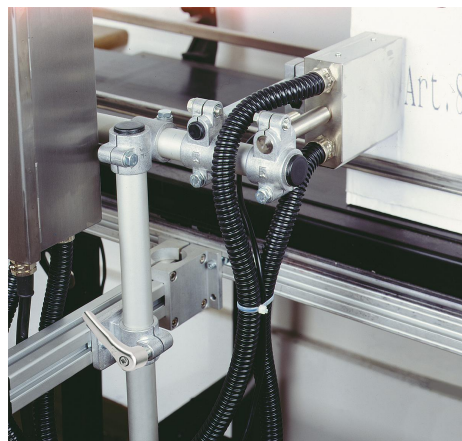
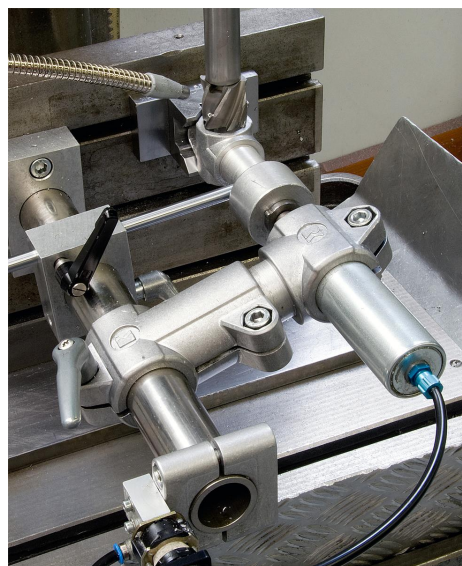


## Tube clamps swivel half raised teeth, plastic

### Item description/product images



### Description

#### Material:

Thermoplastic.

DIN 7984 screws and DIN 985 nuts steel.

#### Note:

Swivel half clamps with raised teeth can be combined with swivel half clamps with sunken teeth (K0484, K0486 or K0487) to make a complete swivel clamp.

The standard size for round tubes is  $\varnothing 18$  mm or  $\varnothing 30$  mm. Use reducer sleeves K0492 if smaller tubes are to be clamped or a conversion from round to square tubes is required.

#### Assembly:

K0485.18 and K0484.18 can be combined using a DIN 985 M6 nut (K1148) and a DIN 6912 M6x18 cap screw (K1160).

K0485.30 and K0484.30 can be combined using a DIN 985 M8 nut (K1148) and a DIN 6912 M8x25 cap screw (K1160).

#### On request:

Plastic levers for locking.

#### Accessory:

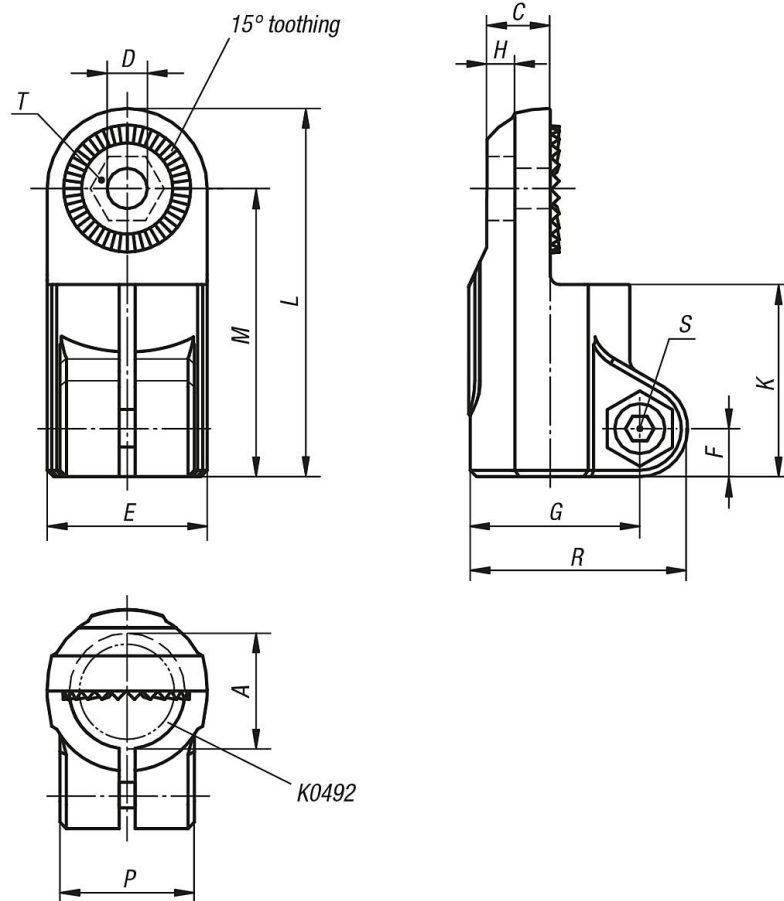
- Reducer sleeves K0492
- Round and square tubes K0493

# Tube clamps swivel half raised teeth, plastic

## Item description/product images



## Drawings



## Overview of items

### Tube clamps swivel half, raised teeth, plastic

## Tube clamps swivel half raised teeth, plastic

### Overview of items

Order No.	A	C	D	E	F	G	H	K	L	M	P	R	S	T
<b>K0485.18</b>	18	9,9	6,1	25	7,5	26,5	5,9	30	57,5	45	21	34	M6x18	M6-DIN 985
<b>K0485.30</b>	30	16,5	8,1	40	11	41,5	6,5	45	88	68	28,5	52,5	M8x25	M8-DIN 985