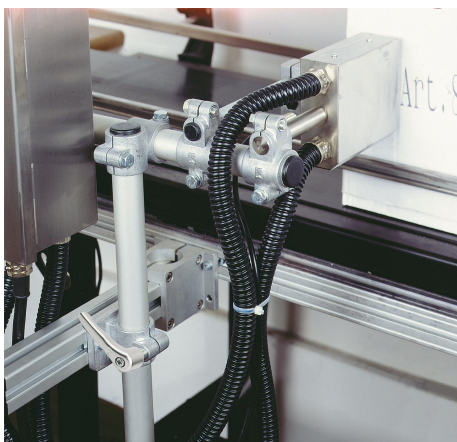
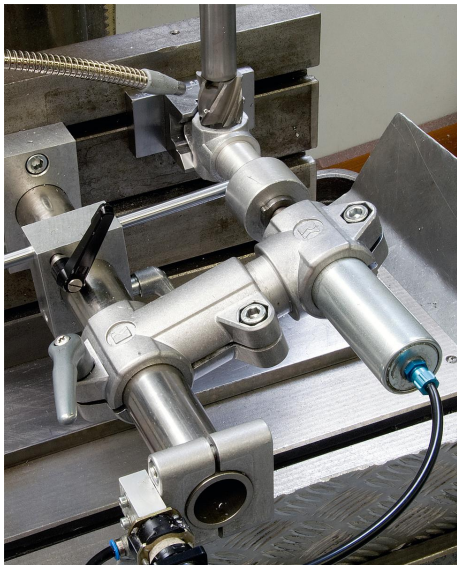


Tube clamps straight plastic

Item description/product images



Description

Material:

Thermoplastic.

DIN 7984 screws and DIN 985 nuts steel.

Version:

Black.

Screws and nuts galvanized.

Note:

The standard size for round tubes is $\varnothing 18$ mm or $\varnothing 30$ mm. Use reducer sleeves K0492 if smaller tubes are to be clamped or a conversion from round to square tubes is required.

On request:

Plastic levers for locking.

Accessory:

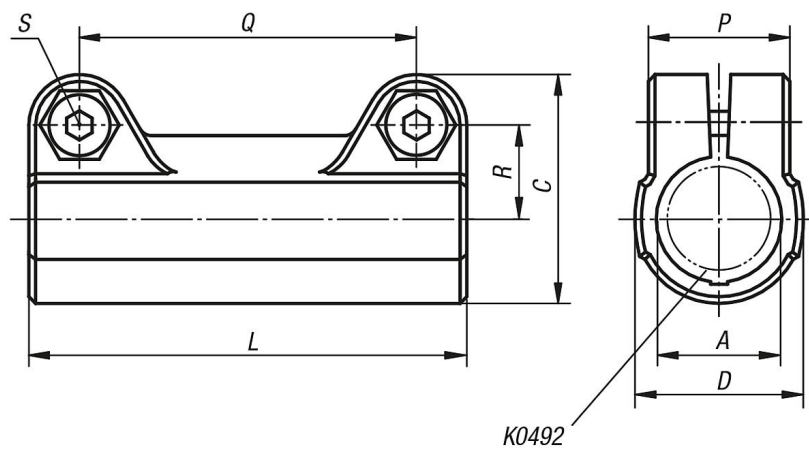
- Reducer sleeves K0492
- Round and square tubes K0493

Tube clamps straight plastic

Item description/product images



Drawings



Overview of items

Tube clamps straight, plastic

Order No.	A	C	D	L	P	Q	R	S
K0483.18	18	34	25	65	21	50	14	M6x18
K0483.30	30	52,5	40	95	28,5	73	22,8	M8x25