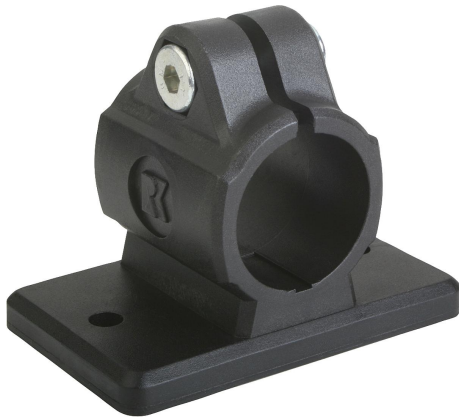


Tube clamps flange plastic

Item description/product images



Description

Material:

Thermoplastic.
DIN 7984 screws and DIN 985 nuts steel.

Version:

Black.
Screws and nuts galvanized.

Note:

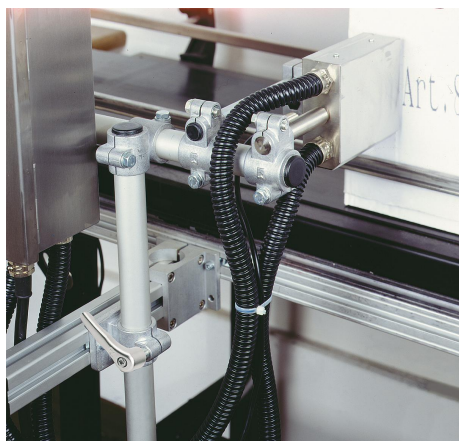
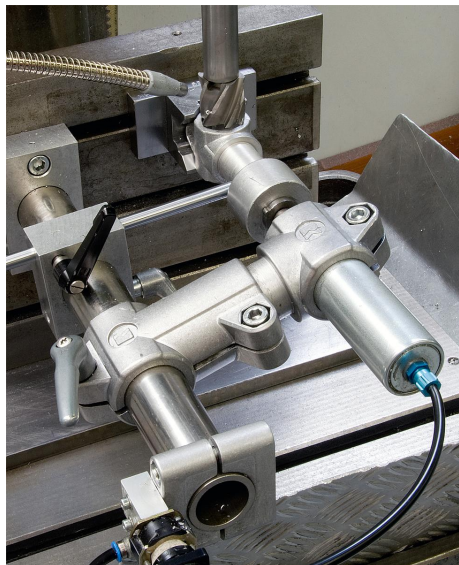
The standard size for round tubes is $\varnothing 18$ mm or $\varnothing 30$ mm. Use reducer sleeves K0492 if smaller tubes are to be clamped or a conversion from round to square tubes is required.

On request:

Plastic levers for locking.

Accessory:

- Reducer sleeves K0492
- Round and square tubes K0493

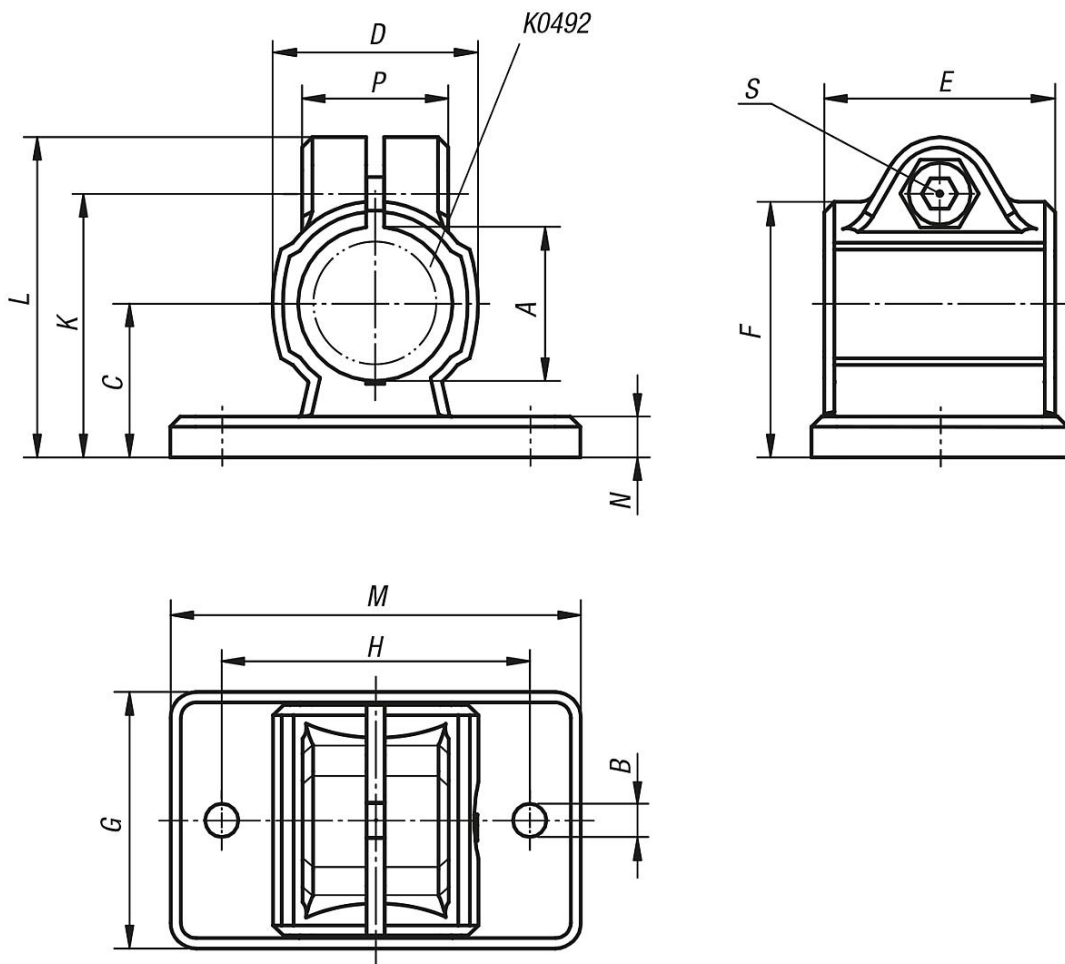


Tube clamps flange plastic

Item description/product images



Drawings



Overview of items

Tube clamps flange plastic

Overview of items

Tube clamps, flange, plastic

Order No.	A	B	C	D	E	F	G	H	K	L	M	N	P	S
K0479.18	18	5,3	18	25	30	30,5	35	40	32	39,5	50	5	21	M6x18
K0479.30	30	6,5	30	40	45	50	50	60	51,5	62,5	80	8	28,5	M8x25