

Tube clamps T-angle plastic

Item description/product images



Description

Material:

Thermoplastic.

DIN 7984 screws and DIN 985 nuts steel.

Version:

Black.

Screws and nuts galvanized.

Note:

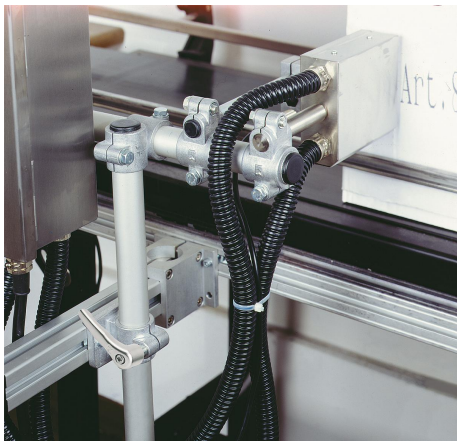
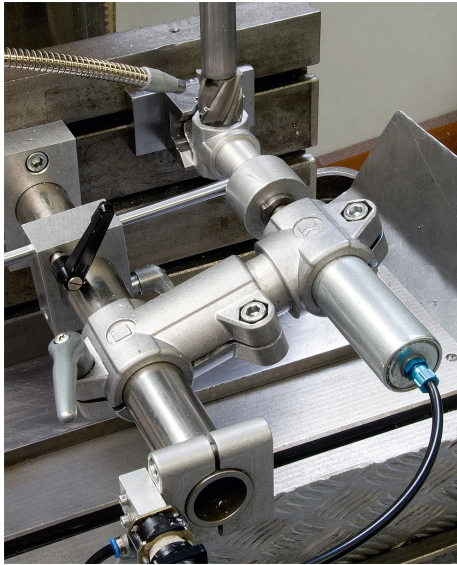
These T-clamps are for 30 mm square tubes. Use reducer sleeves K0491 if smaller tubes are to be clamped or a conversion from square to round tubes is required.

On request:

Plastic levers for locking.

Accessory:

- Reducer sleeves K0491
- Round and square tubes K0493

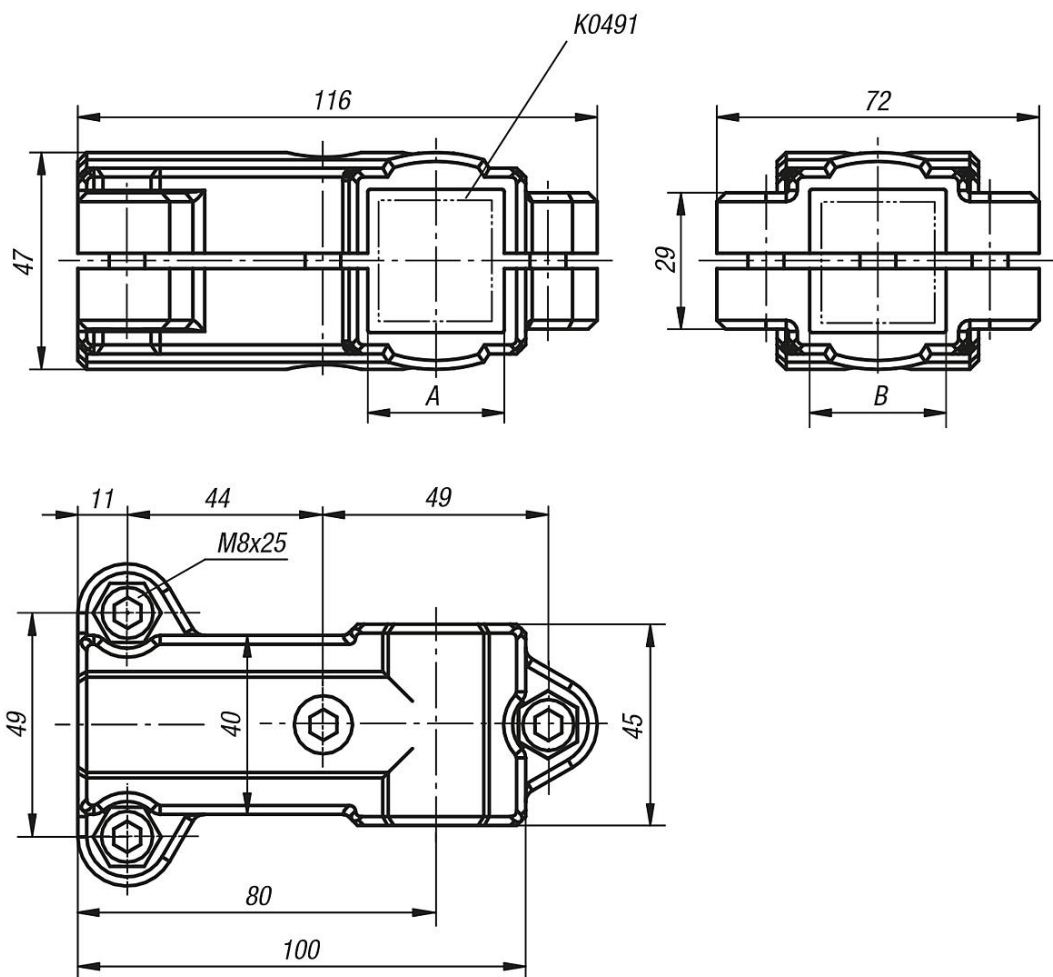


Tube clamps T-angle plastic

Item description/product images



Drawings



Overview of items

Tube clamps T-angle plastic

Overview of items

Tube clamps T-angle, plastic

Order No.	A	B
K0476.3030	30	30