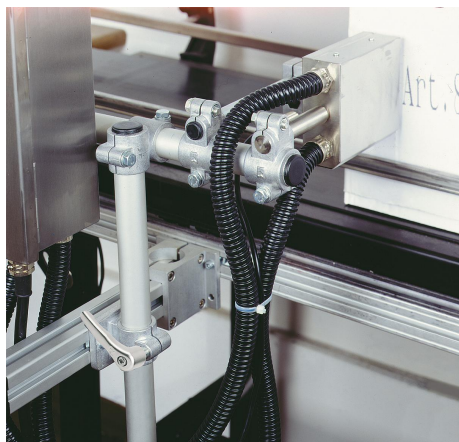
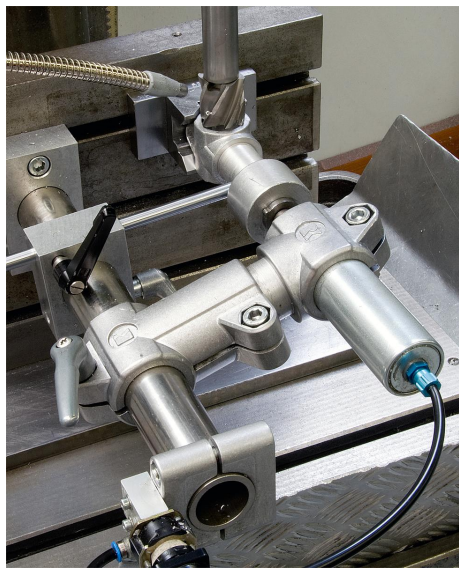


Tube clamps T-angle plastic

Item description/product images



Description

Material:

Thermoplastic.

DIN 7984 screws and DIN 985 nuts steel.

Version:

Black.

Screws and nuts galvanized.

Note:

The standard size for round tubes is $\varnothing 18$ mm or $\varnothing 30$ mm. Use reducer sleeves K0492 if smaller tubes are to be clamped or a conversion from round to square tubes is required.

On request:

Plastic levers for locking.

Accessory:

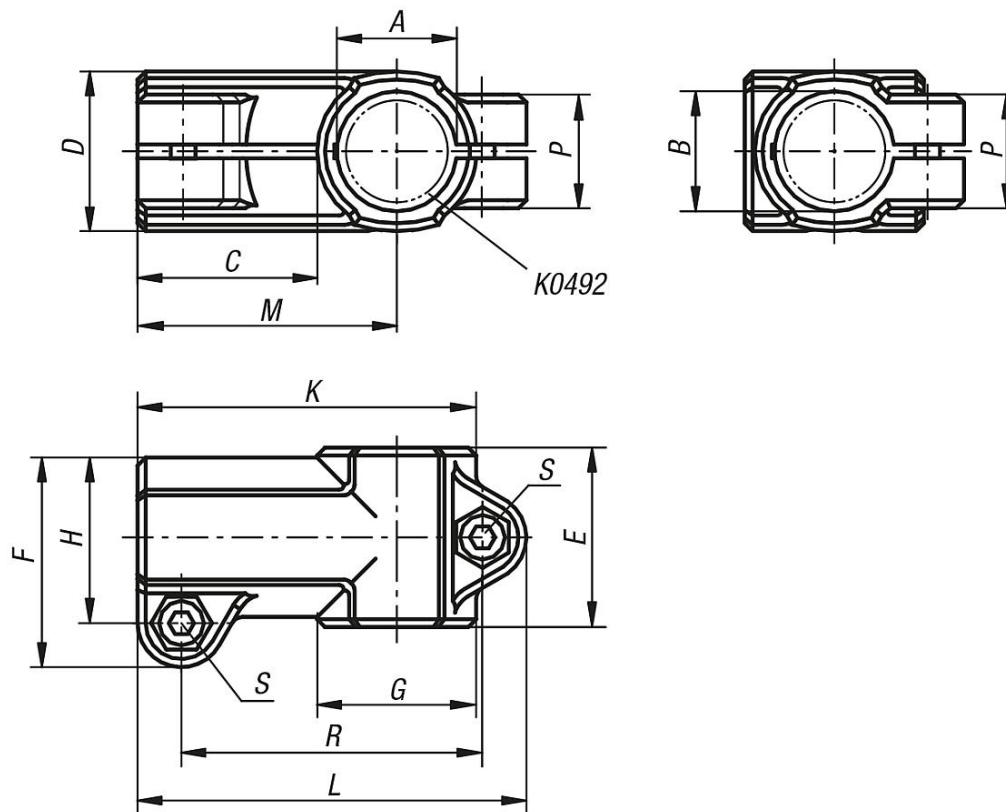
- Reducer sleeves K0492
- Round and square tubes K0493

Tube clamps T-angle plastic

Item description/product images



Drawings



Overview of items

Tube clamps T-angle, plastic

Order No.	A	B	C	D	E	F	G	H	K	L	M	P	R	S
K0475.1818	18	18	30,5	25	30	34	25	26,5	55,5	64,5	43	21	49,5	M6x18
K0475.3030	30	30	45	40	45	52,5	40	41,5	85	97,5	65	28,5	75,5	M8x25