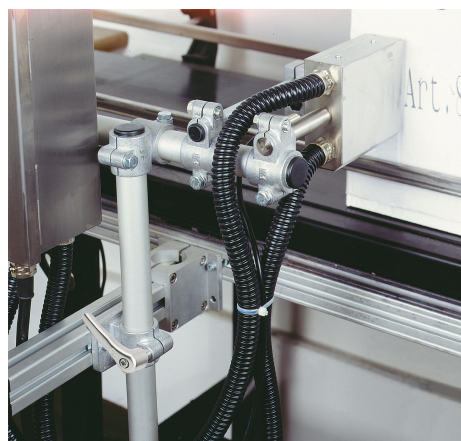


Tube clamps cross plastic

Item description/product images



Description

Material:

Thermoplastic.
DIN 7984 screws and DIN 985 nuts steel.

Version:

Black.
Screws and nuts galvanized.

Note:

The standard size for round tubes is $\varnothing 18$ mm or $\varnothing 30$ mm. Use reducer sleeves K0492 if smaller tubes are to be clamped or a conversion from round to square tubes is required.

On request:

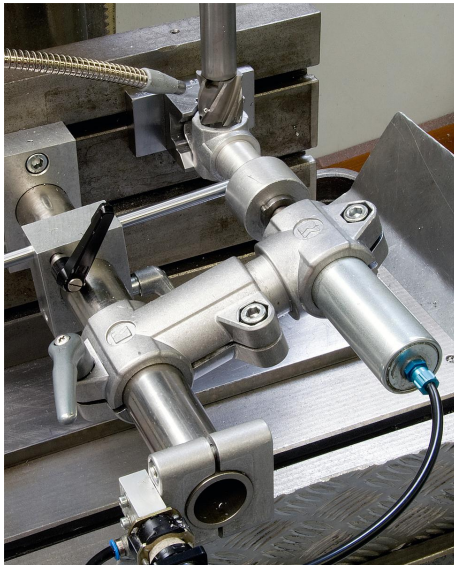
Plastic levers for locking.

Accessory:

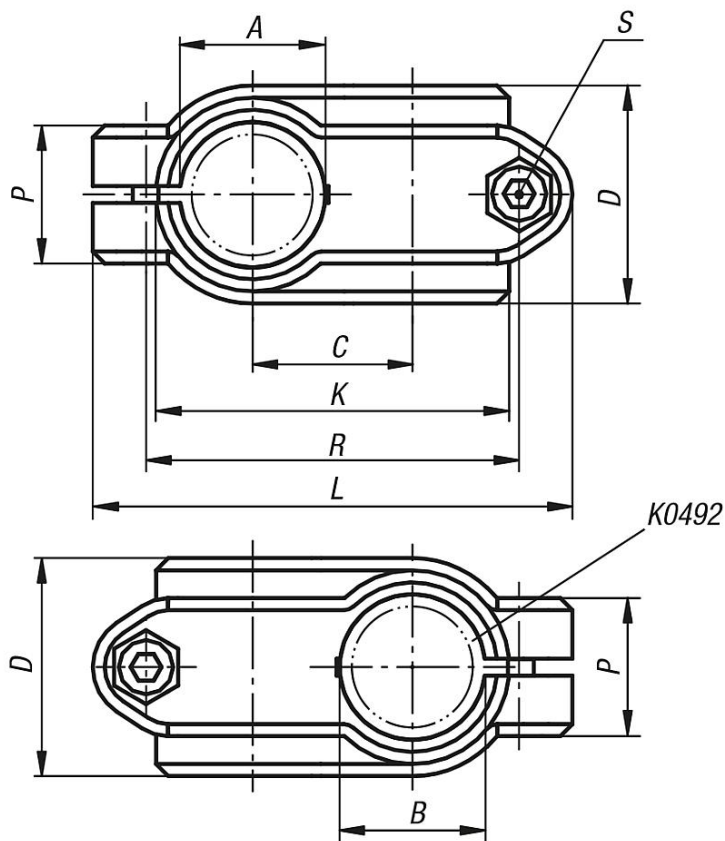
- Reducer sleeves K0492
- Round and square tubes K0493

Tube clamps cross plastic

Item description/product images



Drawings



Overview of items

Tube clamps cross, plastic

Order No.	A	B	C	D	K	L	P	R	S
K0472.1818	18	18	20	30	48	63	21	48	M6x18

Tube clamps cross plastic**Overview of items**

Order No.	A	B	C	D	K	L	P	R	S
K0472.3030	30	30	33	45	72	99	28,5	77	M8x25