

## Quarter-turn locks with T-grip

### Item description/product images



### Description

#### Material:

Housing and nut die-cast zinc.  
T-grip plastic PA6 GF 30.  
Flat seal rubber.  
Tongue steel.

#### Version:

Housing and nut chrome-plated.  
T-grip black.  
Tongue galvanized.

#### Note:

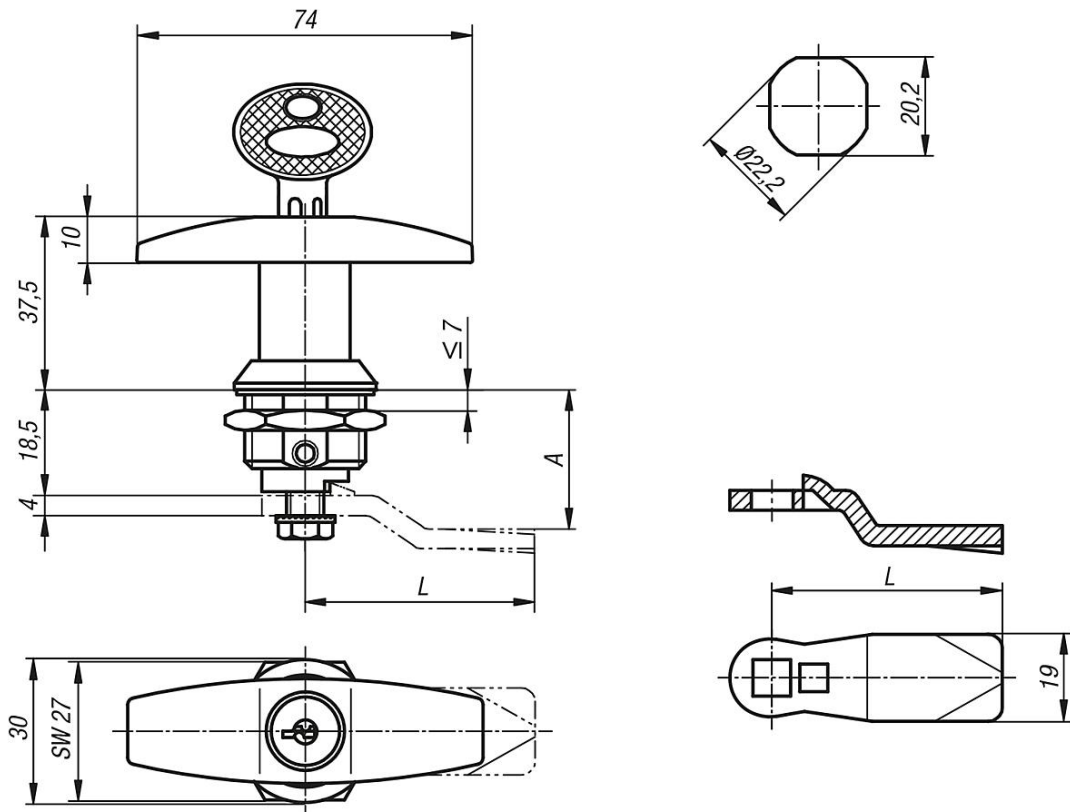
Quarter-turn lock with T-grip. Right or left deployment. The lock can be installed pre-assembled. The fastening nut is an earthing nut with teeth one side.

Water and dust tight according to IP65.

The cylinder locks are supplied with 2 keys. The key can be removed in both positions (open and closed). All cylinders are identical i.e. all locks can be opened with the same key (Euro key 5333).

Please order the desired tongue type separately. Every tongue can be combined with every housing.

### Drawings



## Quarter-turn locks with T-grip

### Overview of items

#### Quarter-turn lock with T-grip

Order No.	Actuation
K0526.1183	T-Grip
K0526.2183	lockable T-grip

#### Tongue for quarter-turn lock

Order No.	A	L
K0523.135X	16,5/18,5/20,5/22,5/24,5	35
K0523.145X	4,5/6,5/8,5/10,5/12,5/14,5/16,5/18,5/20,5/21,5/22,5/24,5/26,5/28,5/30,5/32,5/34,5/36,5/38,5/40,5/42,5	45