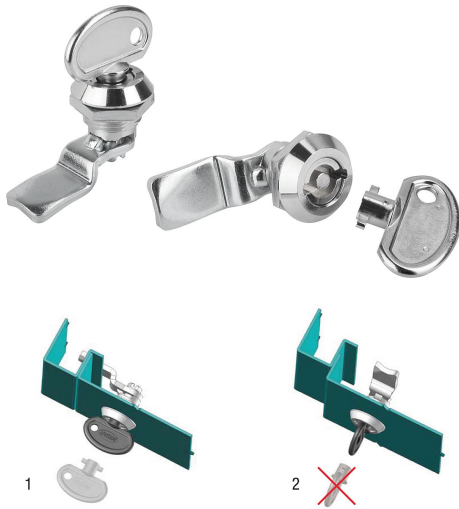


Quarter-turn security locks

Item description/product images



Description

Material:

Housing, actuator, nut and key die-cast zinc.
Flat seal rubber.
Tongue steel.

Version:

Housing and actuator chrome-plated or black powder-coated.
Tongue galvanized.
Key chrome-plated.

Note:

Security quarter turn lock with spring-loaded tongue. Right or left deployment. The lock can be installed pre-assembled. The fastening nut is an earthing nut with teeth one side.

Water and dust tight according to IP65.

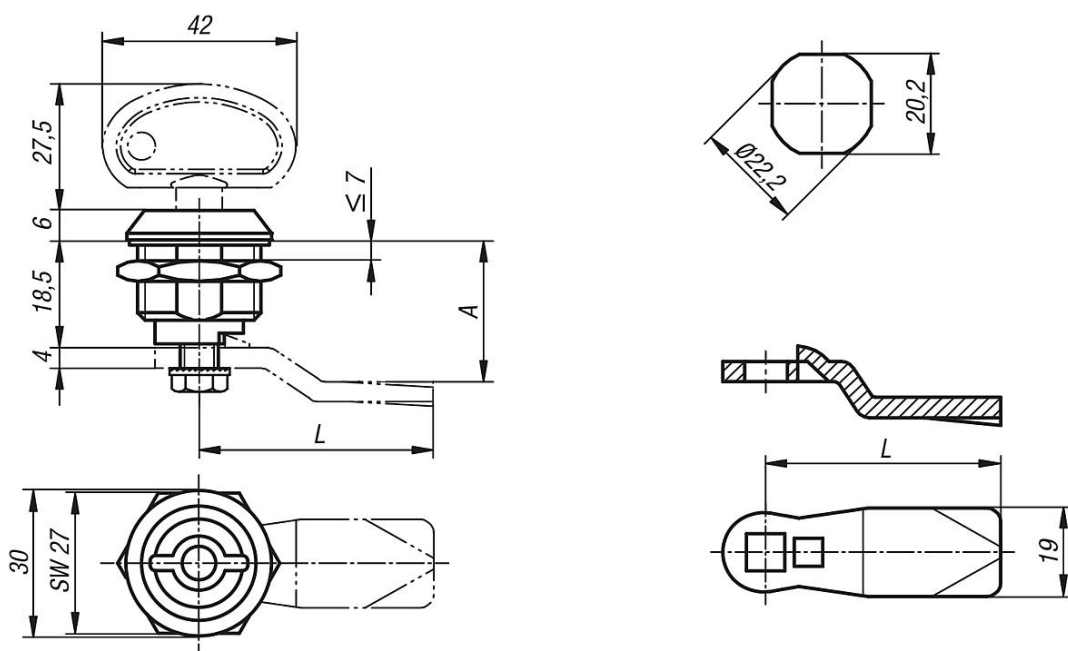
Please order key separately. Lock can only be opened and closed with a specific key. The key can only be removed in the closed position. With an open lock the key acts as a grip.

Please order the desired tongue type separately. Every tongue can be combined with every housing.

Drawing reference:

- 1) Key can be pulled out when locked
- 2) Key cannot be pulled out when open

Drawings



Quarter-turn security locks

Overview of items

Quarter-turn lock security

Order No. chromed	Order No. black powder-coated	Actuation	Order No Key
K0524.181	K0524.182	key	K0524.9

Tongue for quarter-turn lock

Order No.	A	L
K0523.135X	16,5/18,5/20,5/22,5/24,5	35
K0523.145X	4,5/6,5/8,5/10,5/12,5/14,5/16,5/18,5/20,5/21,5/22,5/24,5/26,5/28,5/30,5/32,5/34,5/36,5/38,5/40,5/42,5	45
Order No.	Version	
K0524.9	key	