

Quarter-turn locks

Item description/product images



Description

Material:

Housing, actuator and nut, die-cast zinc or PA6 GFR 30 plastic.
Flat seal rubber.
Tongue steel.

Version:

Housing, actuator and nut chrome-plated or black.
Tongue galvanized.

Note:

Quarter-turn lock with spring-loaded tongue. Right or left deployment. The lock can be installed pre-assembled. The fastening nut is an earthing nut with teeth one side.

Vibration-proof (except plastic version), a catch prevents independent opening.
Water and dust tight according to IP65.

Please order the desired tongue type separately. Every tongue can be combined with every housing.

Accessory:

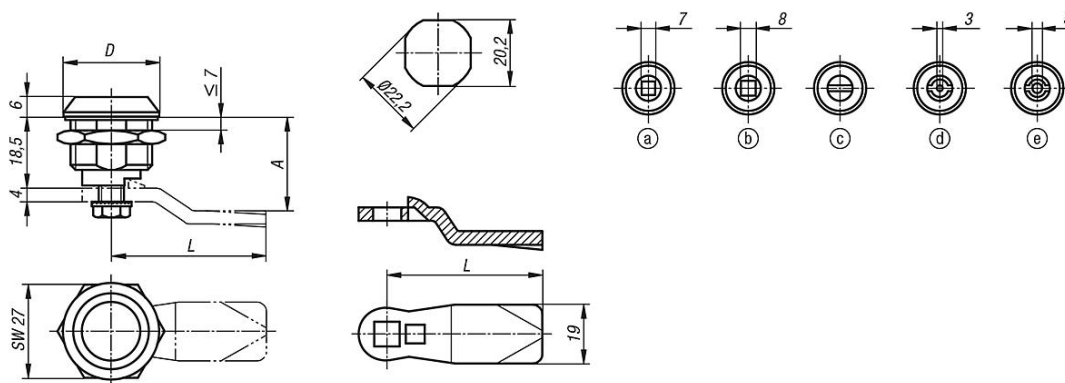
Key K0535

Drawing reference:

Actuation:

- a) square 7 mm
- b) square 8 mm
- c) slot
- d) double lug 3 mm
- e) double lug 5 mm

Drawings



Overview of items

Quarter-turn lock

Order No. zinc	Order No. plastic	D	Actuation
K0522.17181	-	30	square 7 mm
K0522.18181	-	30	square 8 mm

Quarter-turn locks

Overview of items

Order No. zinc	Order No. plastic	D	Actuation
K0522.20181	K0522.20185	30/28	slot
K0522.43181	K0522.43185	30/28	double lug 3 mm
K0522.45181	K0522.45185	30/28	double lug 5 mm

Tongue for quarter-turn lock

Order No.	A	L
K0523.135X	16,5/18,5/20,5/22,5/24,5	35
K0523.145X	4,5/6,5/8,5/10,5/12,5/14,5/16,5/18,5/20,5/21,5/22,5/24,5/26,5/28,5/30,5/32,5/34,5/36,5/38,5/40,5/42,5	45