

Magnets shallow pot NdFeB

Item description/product images



Description

Material:

Housing, steel.
Magnetic core NdFeB.

Version:

Housing, galvanized.

Note:

Shielded system. With the permanent magnetic material NdFeB the attractive force increases by ca. 10-20% compared with SmCo.

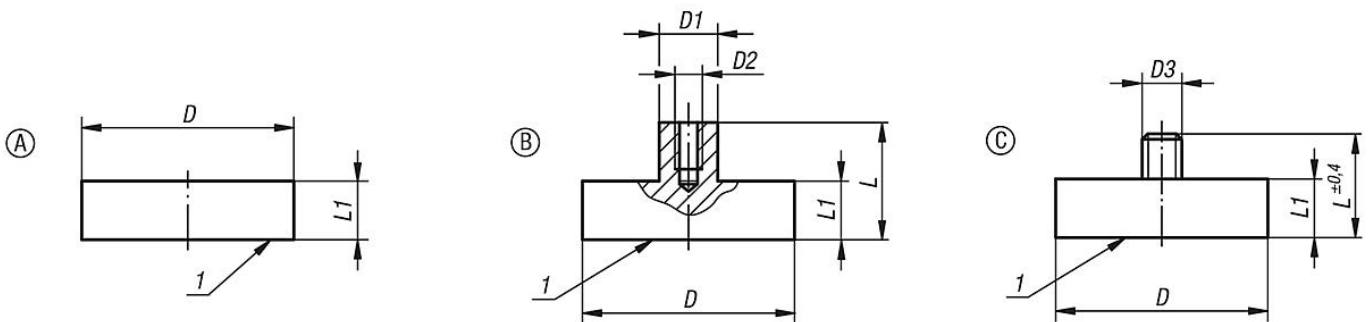
Temperature range:

max. 80°C.

Drawing reference:

1) magnetic face

Drawings



Overview of items