

Spring plungers smooth version, extended, stainless steel

Item description/product images



Description

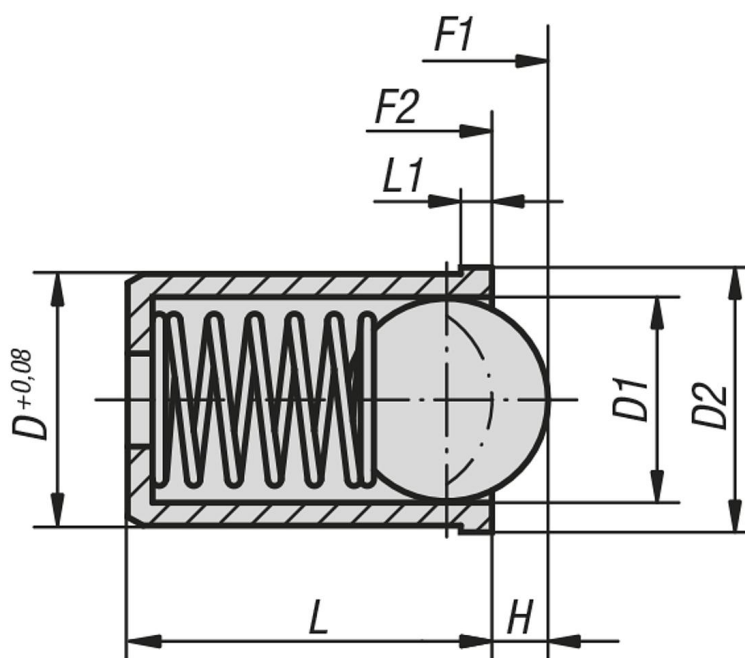
Material:

Sleeve and spring stainless steel.
Ball stainless steel or POM.

Version:

Sleeve bright.
Ball hardened, bright.

Drawings



Overview of items

Spring plungers smooth version, extended, stainless steel

Order No.	Component material	D	D1	D2	L	L1	H	Spring force initial pressure F1 approx. N	Spring force final pressure F2 approx. N
K0333.104	Stainless steel	4	3	4,6	9	1	0,8	12	22
K0333.105	Stainless steel	5	4	5,6	12	1	1	19	30
K0333.106	Stainless steel	6	5	6,5	14	1	1,5	22	40
K0333.108	Stainless steel	8	6	8,5	16	1	1,8	42	73
K0333.110	Stainless steel	10	8	12	22	2,5	2,7	54	100
K0333.112	Stainless steel	12	10	14	24	2,5	3,2	54	122
K0333.404	POM	4	3	4,6	9	1	0,8	12	22
K0333.405	POM	5	4	5,6	12	1	1	19	30

Spring plungers smooth version, extended, stainless steel

Overview of items

Order No.	Component material	D	D1	D2	L	L1	H	Spring force initial pressure F1 approx. N	Spring force final pressure F2 approx. N
K0333.406	POM	6	5	6,5	14	1	1,5	22	40
K0333.408	POM	8	6	8,5	16	1	1,8	42	73
K0333.410	POM	10	8	12	22	2,5	2,7	54	100
K0333.412	POM	12	10	14	24	2,5	3,2	54	122