

Taper grips revolving

Item description/product images



Description

Material:

Black Duroplast PF 31.

Axle and threaded bush galvanized steel or bright stainless steel.

Version:

High-gloss polished.

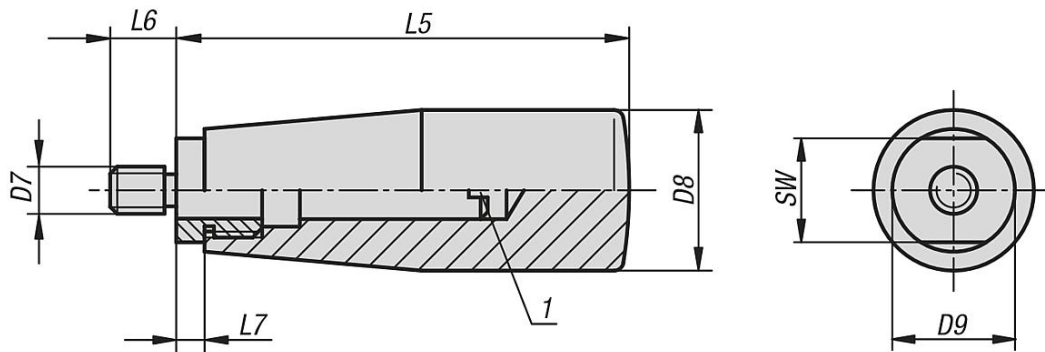
Note:

To mount unscrew the axle.

Drawing reference:

1) mounting aid

Drawings



Overview of items

Taper grips revolving

Order No.	Component material	Size	D7	D8	D9	L5	L6	L7	SW
K0170.105007	Steel	1	M5	17	15	51	7	5	13
K0170.206008	Steel	2	M6	23	18	68	8	6	16
K0170.208009	Steel	2	M8	23	18	68	9	6	16
K0170.310011	Steel	3	M10	28	21	77	11	7	19
K0170.1105007	Stainless steel	1	M5	17	15	51	7	5	13
K0170.1206008	Stainless steel	2	M6	23	18	68	8	6	16
K0170.1208009	Stainless steel	2	M8	23	18	68	9	6	16
K0170.1310011	Stainless steel	3	M10	28	21	77	11	7	19