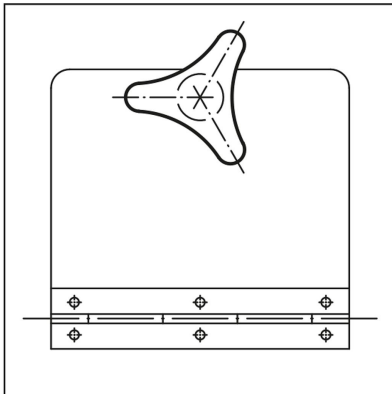


Triangular grips with high collar

Item description/product images



Description

Material:

Black Duroplast PF 31.

Bush and screw galvanized steel or bright stainless steel.

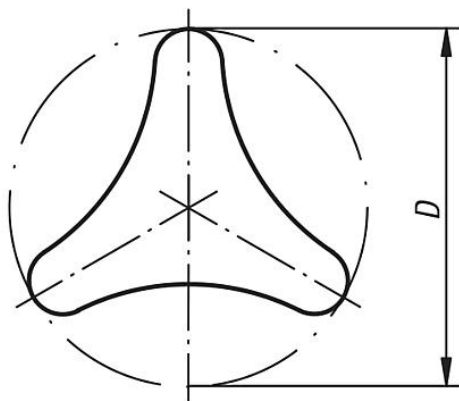
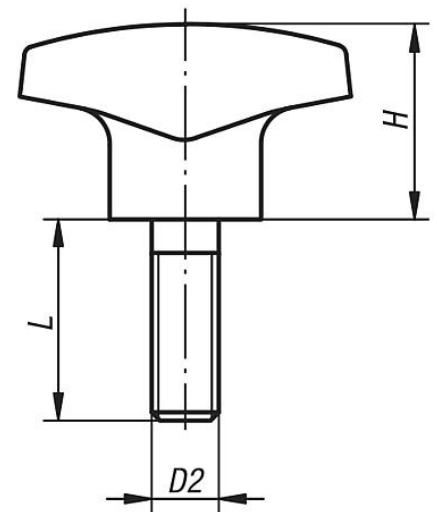
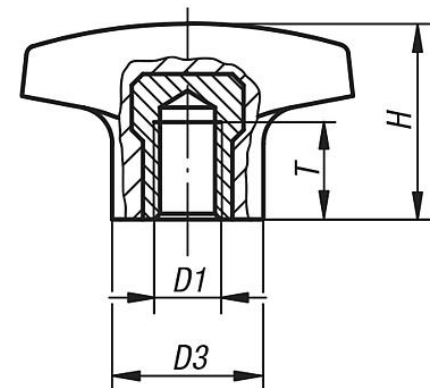
Version:

High-gloss polished.

On request:

Other screw sizes, screw lengths and colours.

Drawings



Overview of items

Triangular grips with high collar, internal thread

Triangular grips with high collar

Overview of items

Order No.	Component material	D	D1	D3	H	T
K0183.14006	steel	40	M6	14	22	12
K0183.15008	steel	50	M8	18	28	14
K0183.16210	steel	62	M10	22	35	14
K0183.24006	stainless steel	40	M6	12	22	9
K0183.25008	stainless steel	50	M8	15	28	13
K0183.26210	stainless steel	62	M10	18	35	13

Triangular grips with high collar, external thread

Order No.	Component material	D	D2	D3	H	L
K0183.14006X15	steel	40	M6	14	22	15
K0183.14008X20	steel	40	M8	14	22	20
K0183.15008X20	steel	50	M8	18	28	20
K0183.15010X25	steel	50	M10	22	28	25
K0183.16210X25	steel	62	M10	22	35	25
K0183.24006X20	stainless steel	40	M6	12	22	20
K0183.24008X20	stainless steel	40	M8	12	22	20
K0183.25008X20	stainless steel	50	M8	15	28	20
K0183.25010X30	stainless steel	50	M10	15	28	30
K0183.26210X30	stainless steel	62	M10	18	35	30