

Clamping levers internal thread

Item description/product images



Description

Material:

Handle die-cast zinc DIN EN 12844.

Steel parts grade 5.8.

Version:

Handle plastic-coated or high-gloss chromed.

Steel parts black oxidised.

Note:

Δ Add the desired lever colour here.

Standard colours are:

black satin finish, orange RAL 2004, ruby red RAL 3003, silver metallic, high-gloss chromed.

On request:

Other internal threads, colours and special versions.

Dimension "H1" available in other lengths at extra charge.

Clamping levers internal thread

Item description/product images

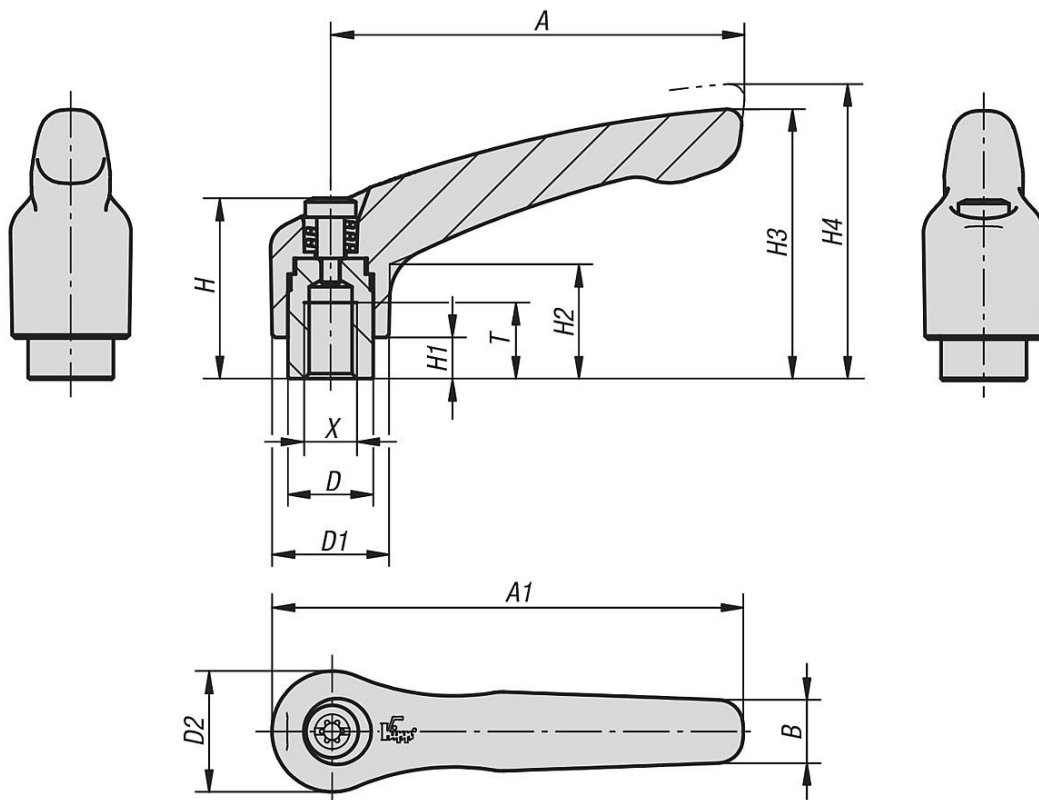


Clamping levers internal thread

Item description/product images



Drawings



Overview of items

Clamping levers with internal thread

Clamping levers internal thread

Overview of items

Order No.	Base colour	Size	X	T	D	D1	D2	H	H1	H2	H3	H4	A	A1	B	No. of teeth
K0122.0031	Black satin finish	0	M3	9	10	13	14	24,5	4	14,5	30	33	30	37	7	16
K0122.0032	Pure orange RAL 2004	0	M3	9	10	13	14	24,5	4	14,5	30	33	30	37	7	16
K0122.00327	Ruby red RAL 3003	0	M3	9	10	13	14	24,5	4	14,5	30	33	30	37	7	16
K0122.0033	Silver metallic	0	M3	9	10	13	14	24,5	4	14,5	30	33	30	37	7	16
K0122.0036	High-gloss chromed	0	M3	9	10	13	14	24,5	4	14,5	30	33	30	37	7	16
K0122.0041	Black satin finish	0	M4	9	10	13	14	24,5	4	14,5	30	33	30	37	7	16
K0122.0042	Pure orange RAL 2004	0	M4	9	10	13	14	24,5	4	14,5	30	33	30	37	7	16
K0122.00427	Ruby red RAL 3003	0	M4	9	10	13	14	24,5	4	14,5	30	33	30	37	7	16
K0122.0043	Silver metallic	0	M4	9	10	13	14	24,5	4	14,5	30	33	30	37	7	16
K0122.0046	High-gloss chromed	0	M4	9	10	13	14	24,5	4	14,5	30	33	30	37	7	16
K0122.0051	Black satin finish	0	M5	9	10	13	14	24,5	4	14,5	30	33	30	37	7	16
K0122.0052	Pure orange RAL 2004	0	M5	9	10	13	14	24,5	4	14,5	30	33	30	37	7	16
K0122.00527	Ruby red RAL 3003	0	M5	9	10	13	14	24,5	4	14,5	30	33	30	37	7	16
K0122.0053	Silver metallic	0	M5	9	10	13	14	24,5	4	14,5	30	33	30	37	7	16
K0122.0056	High-gloss chromed	0	M5	9	10	13	14	24,5	4	14,5	30	33	30	37	7	16
K0122.1041	Black satin finish	1	M4	9	10	13	14	24,5	4	14,5	31	34	40	47	7	16
K0122.1042	Pure orange RAL 2004	1	M4	9	10	13	14	24,5	4	14,5	31	34	40	47	7	16
K0122.10427	Ruby red RAL 3003	1	M4	9	10	13	14	24,5	4	14,5	31	34	40	47	7	16
K0122.1043	Silver metallic	1	M4	9	10	13	14	24,5	4	14,5	31	34	40	47	7	16
K0122.1046	High-gloss chromed	1	M4	9	10	13	14	24,5	4	14,5	31	34	40	47	7	16
K0122.1051	Black satin finish	1	M5	9	10	13	14	24,5	4	14,5	31	34	40	47	7	16
K0122.1052	Pure orange RAL 2004	1	M5	9	10	13	14	24,5	4	14,5	31	34	40	47	7	16
K0122.10527	Ruby red RAL 3003	1	M5	9	10	13	14	24,5	4	14,5	31	34	40	47	7	16
K0122.1053	Silver metallic	1	M5	9	10	13	14	24,5	4	14,5	31	34	40	47	7	16
K0122.1056	High-gloss chromed	1	M5	9	10	13	14	24,5	4	14,5	31	34	40	47	7	16
K0122.1061	Black satin finish	1	M6	9	10	13	14	24,5	4	14,5	31	34	40	47	7	16
K0122.1062	Pure orange RAL 2004	1	M6	9	10	13	14	24,5	4	14,5	31	34	40	47	7	16
K0122.10627	Ruby red RAL 3003	1	M6	9	10	13	14	24,5	4	14,5	31	34	40	47	7	16
K0122.1063	Silver metallic	1	M6	9	10	13	14	24,5	4	14,5	31	34	40	47	7	16
K0122.1066	High-gloss chromed	1	M6	9	10	13	14	24,5	4	14,5	31	34	40	47	7	16
K0122.2061	Black satin finish	2	M6	12	13,5	18,5	19	28,5	6,5	17,5	42,5	45,5	65	74,5	9,5	20
K0122.2062	Pure orange RAL 2004	2	M6	12	13,5	18,5	19	28,5	6,5	17,5	42,5	45,5	65	74,5	9,5	20
K0122.20627	Ruby red RAL 3003	2	M6	12	13,5	18,5	19	28,5	6,5	17,5	42,5	45,5	65	74,5	9,5	20
K0122.2063	Silver metallic	2	M6	12	13,5	18,5	19	28,5	6,5	17,5	42,5	45,5	65	74,5	9,5	20
K0122.2066	High-gloss chromed	2	M6	12	13,5	18,5	19	28,5	6,5	17,5	42,5	45,5	65	74,5	9,5	20
K0122.2081	Black satin finish	2	M8	12	13,5	18,5	19	28,5	6,5	17,5	42,5	45,5	65	74,5	9,5	20
K0122.2082	Pure orange RAL 2004	2	M8	12	13,5	18,5	19	28,5	6,5	17,5	42,5	45,5	65	74,5	9,5	20
K0122.20827	Ruby red RAL 3003	2	M8	12	13,5	18,5	19	28,5	6,5	17,5	42,5	45,5	65	74,5	9,5	20
K0122.2083	Silver metallic	2	M8	12	13,5	18,5	19	28,5	6,5	17,5	42,5	45,5	65	74,5	9,5	20
K0122.2086	High-gloss chromed	2	M8	12	13,5	18,5	19	28,5	6,5	17,5	42,5	45,5	65	74,5	9,5	20
K0122.3081	Black satin finish	3	M8	14	16	21	22	37	10	24	54,5	58,5	80	91	11	22
K0122.3082	Pure orange RAL 2004	3	M8	14	16	21	22	37	10	24	54,5	58,5	80	91	11	22
K0122.30827	Ruby red RAL 3003	3	M8	14	16	21	22	37	10	24	54,5	58,5	80	91	11	22
K0122.3083	Silver metallic	3	M8	14	16	21	22	37	10	24	54,5	58,5	80	91	11	22
K0122.3086	High-gloss chromed	3	M8	14	16	21	22	37	10	24	54,5	58,5	80	91	11	22
K0122.3101	Black satin finish	3	M10	14	16	21	22	37	10	24	54,5	58,5	80	91	11	22
K0122.3102	Pure orange RAL 2004	3	M10	14	16	21	22	37	10	24	54,5	58,5	80	91	11	22
K0122.31027	Ruby red RAL 3003	3	M10	14	16	21	22	37	10	24	54,5	58,5	80	91	11	22
K0122.3103	Silver metallic	3	M10	14	16	21	22	37	10	24	54,5	58,5	80	91	11	22
K0122.3106	High-gloss chromed	3	M10	14	16	21	22	37	10	24	54,5	58,5	80	91	11	22
K0122.4101	Black satin finish	4	M10	17	19	27	27,5	43	10	27	63	67,5	95	109	13	24
K0122.4102	Pure orange RAL 2004	4	M10	17	19	27	27,5	43	10	27	63	67,5	95	109	13	24
K0122.41027	Ruby red RAL 3003	4	M10	17	19	27	27,5	43	10	27	63	67,5	95	109	13	24
K0122.4103	Silver metallic	4	M10	17	19	27	27,5	43	10	27	63	67,5	95	109	13	24
K0122.4106	High-gloss chromed	4	M10	17	19	27	27,5	43	10	27	63	67,5	95	109	13	24
K0122.4121	Black satin finish	4	M12	17	19	27	27,5	43	10	27	63	67,5	95	109	13	24
K0122.4122	Pure orange RAL 2004	4	M12	17	19	27	27,5	43	10	27	63	67,5	95	109	13	24
K0122.41227	Ruby red RAL 3003	4	M12	17	19	27	27,5	43	10	27	63	67,5	95	109	13	24
K0122.4123	Silver metallic	4	M12	17	19	27	27,5	43	10	27	63	67,5	95	109	13	24
K0122.4126	High-gloss chromed	4	M12	17	19	27	27,5	43	10	27	63	67,5	95	109	13	24
K0122.5121	Black satin finish	5	M12	23	23	31	32	49	12	31,5	73	77,5	110	126	15	26
K0122.5122	Pure orange RAL 2004	5	M12	23	23	31	32	49	12	31,5	73	77,5	110	126	15	26

Clamping levers internal thread

Overview of items

Order No.	Base colour	Size	X	T	D	D1	D2	H	H1	H2	H3	H4	A	A1	B	No. of teeth
K0122.51227	Ruby red RAL 3003	5	M12	23	23	31	32	49	12	31,5	73	77,5	110	126	15	26
K0122.5123	Silver metallic	5	M12	23	23	31	32	49	12	31,5	73	77,5	110	126	15	26
K0122.5126	High-gloss chromed	5	M12	23	23	31	32	49	12	31,5	73	77,5	110	126	15	26
K0122.5161	Black satin finish	5	M16	23	23	31	32	49	12	31,5	73	77,5	110	126	15	26
K0122.5162	Pure orange RAL 2004	5	M16	23	23	31	32	49	12	31,5	73	77,5	110	126	15	26
K0122.51627	Ruby red RAL 3003	5	M16	23	23	31	32	49	12	31,5	73	77,5	110	126	15	26
K0122.5163	Silver metallic	5	M16	23	23	31	32	49	12	31,5	73	77,5	110	126	15	26
K0122.5166	High-gloss chromed	5	M16	23	23	31	32	49	12	31,5	73	77,5	110	126	15	26